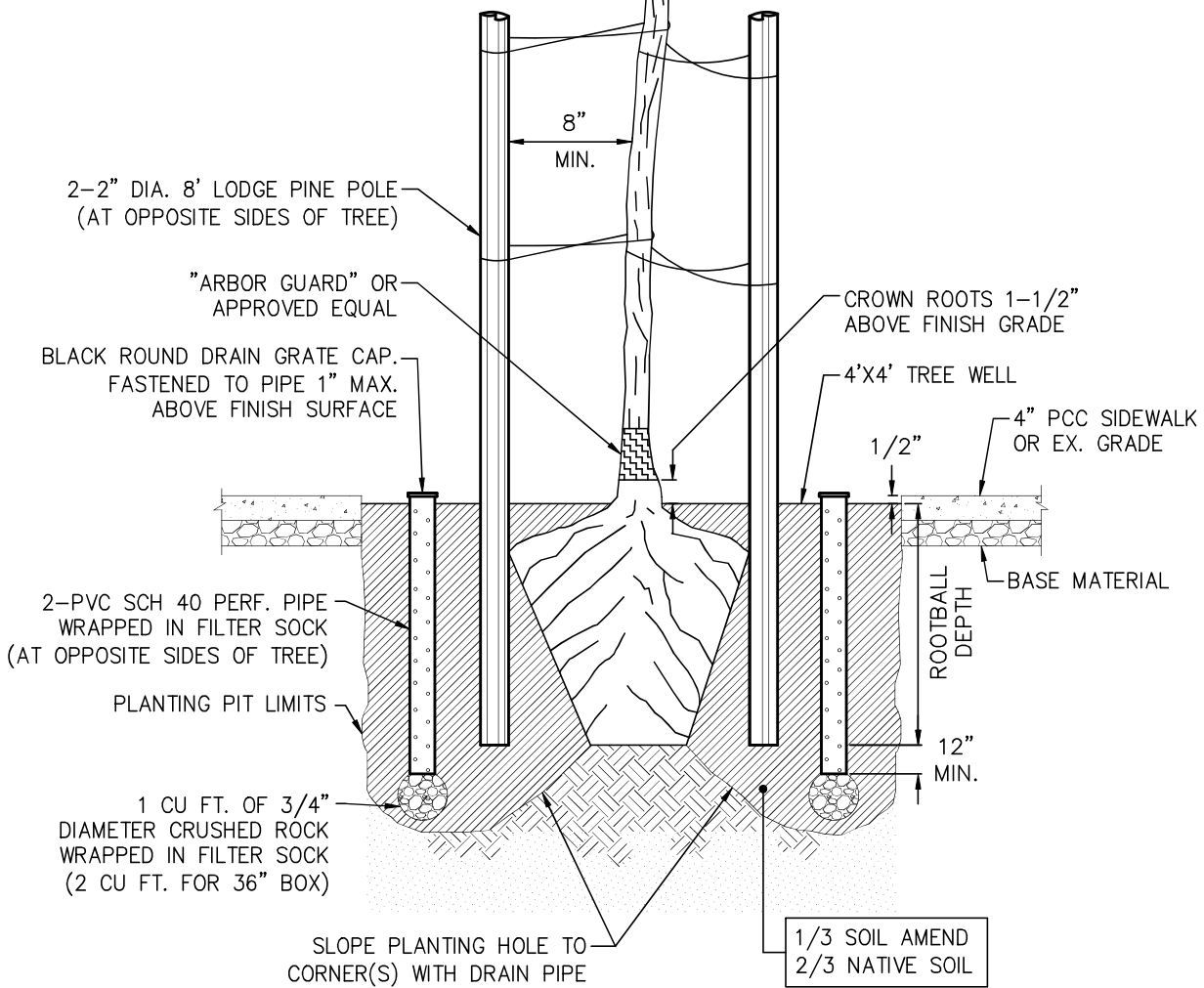


BRACE DETAIL



DWG NTS

<p>CITY OF GARDENA DEPARTMENT OF PUBLIC WORKS</p>		<p>APP. BY: <i>Allan Rigg</i> CITY ENGINEER</p>	
<p>TITLE: TREE PLANTING DETAIL (FOR TREE WELLS ONLY)</p>		<p>9/16/2024 DATE</p>	
DESIGNED BY	KK	09/24	<p>DWG. NO. ST-11</p>
DRAWN BY	KK	09/24	
CHECKED BY	KK	09/24	